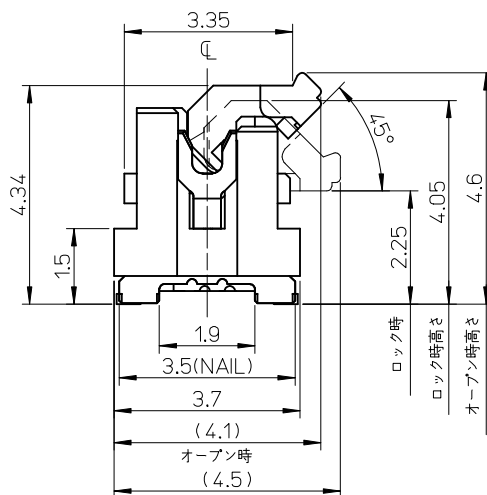


断面図 (参考)



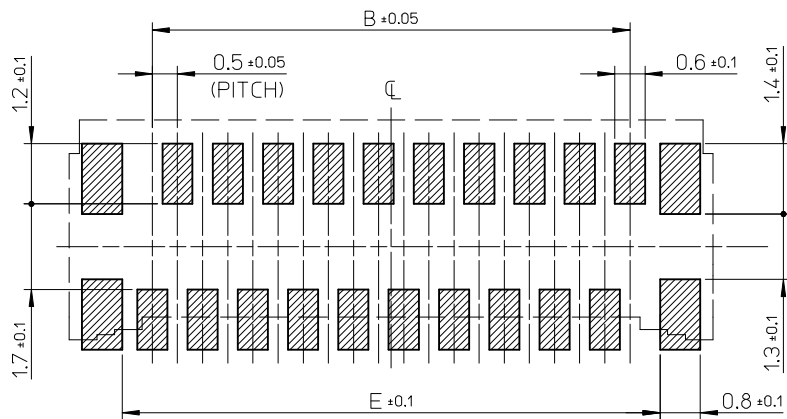
注記 NOTES

- 使用材料 MATERIAL
    - ハウジング : 液晶ポリマー ガラス充填, UL94V-0(白)
    - HOUSING : LIQUID CRYSTAL POLYMER GLASS FILLED, UL94V-0 (WHITE)
    - アクチュエータ : ポリアミド 9T, ガラス充填, UL94V-0(茶)
    - ACTUATOR : POLYAMIDE 9T, GLASS FILLED, UL94V-0 (BROWN)
    - ターミナル : 銅合金(t=0.15)
    - TERMINAL : COPPER ALLOY
    - 金具 : 銅合金(t=0.2)
    - FITTING NAIL : COPPER ALLOY
  - めっき仕様 PLATING
    - ターミナル TERMINAL
      - ニッケル下地銅ビスマスめっき
      - 銅ビスマスめっき(1.0μm以上)
      - ニッケルめっき(1.0μm以上)
      - TIN BISMUTH(SnBi) OVER NICKEL(Ni) PLATING.
      - TIN BISMUTH(SnBi) PLATING (1.0 MICROMETER MINIMUM)
      - NICKEL PLATING (1.0 MICROMETER MINIMUM)
    - 金具 FITTING NAIL
      - ニッケル下地銅めっき
      - 銅めっき(1.0μm以上)
      - ニッケルめっき(1.0μm以上)
      - TIN(Sn) OVER NICKEL(Ni) PLATING.
      - TIN PLATING (1.0 MICROMETER MINIMUM)
      - NICKEL PLATING (1.0 MICROMETER MINIMUM)
  - テールと金具を併せた平坦度は 0.1ミリメートル以下  
TAILS AND NAILS COPLANARITY TO BE 0.1 MAX.
  - ELV及びRoHS適合品  
ELV AND RoHS COMPLIANT
- △ R0.3は、FPC導体部にかからないこと。  
R0.3 MUST NOT BE OVERLAPPED TO PATTERN OF FPC.

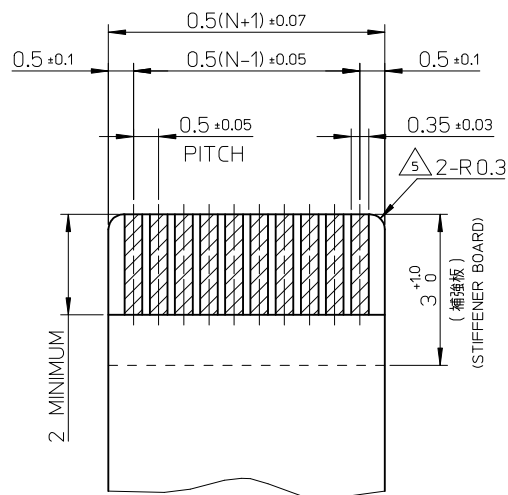
8	30.7	32.1	32.4	29.5	32.8	501951-6009	60
	25.7	27.1	27.4	24.5	27.8	501951-5009	50
	23.2	24.6	24.9	22	25.3	501951-4509	45
	20.7	22.1	22.4	19.5	22.8	501951-4009	40
	16.7	18.1	18.4	15.5	18.8	501951-3209	32
	15.7	17.1	17.4	14.5	17.8	501951-3009	30
	12.7	14.1	14.4	11.5	14.8	501951-2409	24
	11.7	13.1	13.4	10.5	13.8	501951-2209	22
F	E	D	C	B	A	MATERIAL NO.	CIRCUITS

REVISED EC NO: J2015-0506 DRWN:NASUNUMA 2014/10/24 CHKD:TKAHASHI 2014/11/10 APPR:YNOGAWA 2014/11/13	GENERAL TOLERANCES (UNLESS SPECIFIED)		DIMENSION STYLE MM ONLY	SCALE 10:1	DESIGN UNITS METRIC	THIRD ANGLE PROJECTION	
	10 UNDER	± 0.2	DRAWN BY TRSUZUKI	DATE 2005/12/05	TITLE 0.5 FPC CONN. HSG ASSY EASY ON / STRAIGHT (TIN-BISMUTH) <b>molex</b>		
	10 OVER 30 UNDER	± 0.25	CHECKED BY HHIRATA	DATE 2005/12/05			
	30 OVER	± 0.3	APPROVED BY MSASAO	DATE 2005/12/05			
ANGULAR ±1 °		MATERIAL NO.	DOCUMENT NO.				
DRAFT WHERE APPLICABLE MUST REMAIN WITHIN DIMENSIONS		SEE CHART		SD-501951-001		SHEET NO. 1 OF 2	
REV	DESCRIPTION		SIZE A3	THIS DRAWING CONTAINS INFORMATION THAT IS PROPRIETARY TO MOLEX INCORPORATED AND SHOULD NOT BE USED WITHOUT WRITTEN PERMISSION			

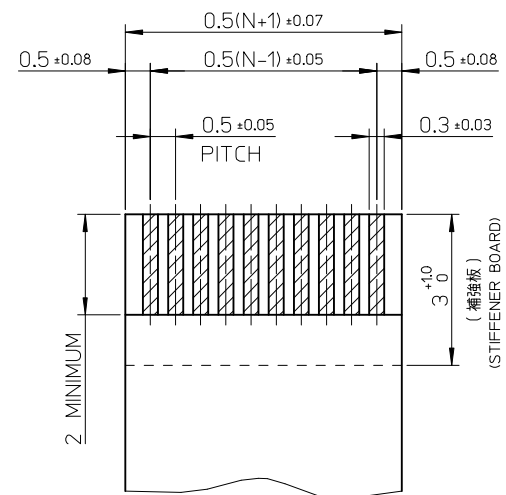
10 9 8 7 6 5 4 3 2 1



参考基板レイアウト (マウント面)  
P.C.BOARD PATTERN DIMENSION(REF.)  
(MOUNT AREA)



適合FPC推奨寸法  
APPLICABLE FPC  
RECOMMENDED DIMENSION  
(仕上がり厚さ: 0.3 ± 0.03)  
(THICKNESS: 0.3 ± 0.03)



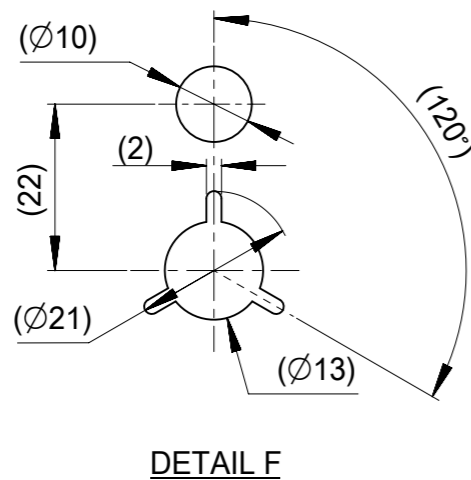
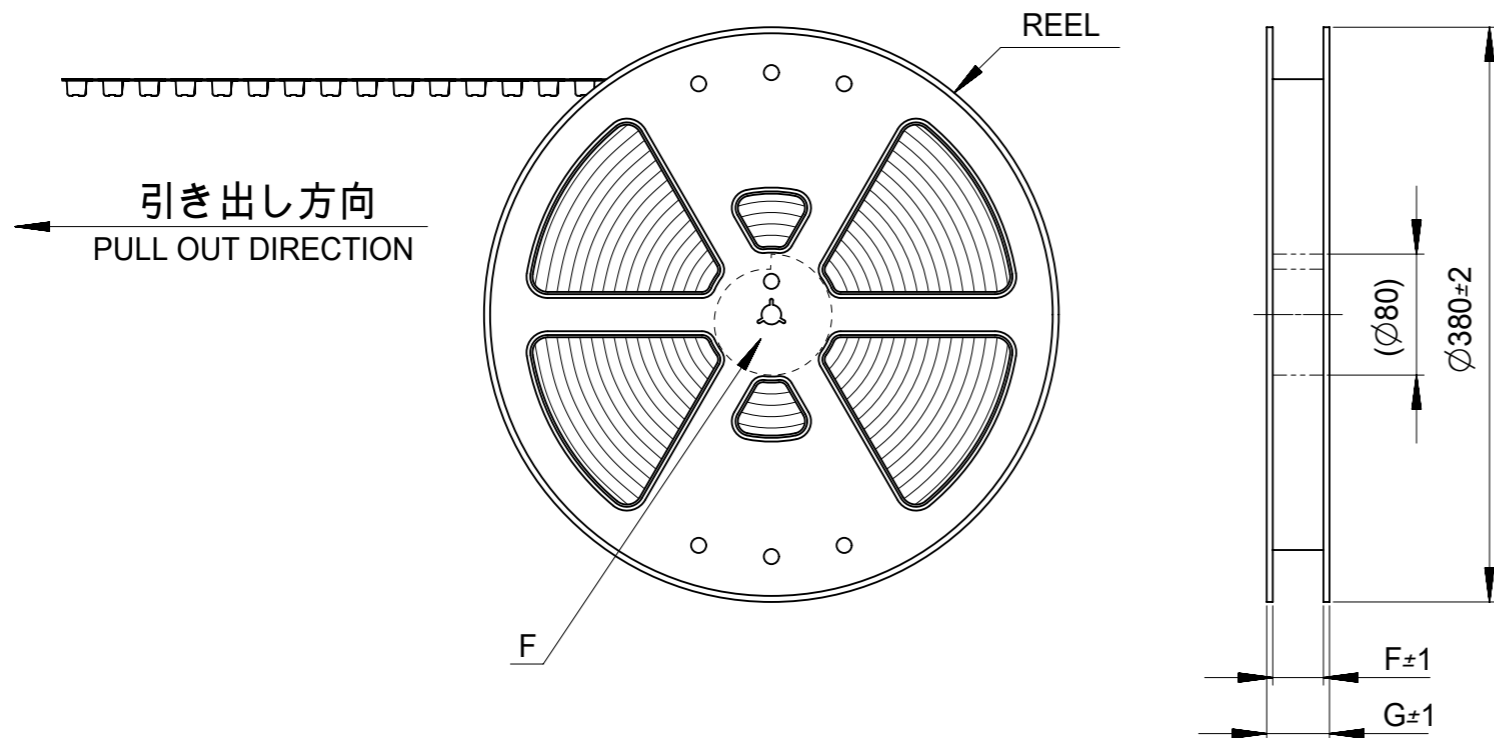
適合FFC推奨寸法  
APPLICABLE FFC  
RECOMMENDED DIMENSION  
(仕上がり厚さ: 0.3 ± 0.03)  
(THICKNESS: 0.3 ± 0.03)

FPCについて:  
打抜き方向は導体側から補強板側を推奨致します。  
補強フィルム材質はポリイミドを推奨致します。  
接着剤は熱硬化接着剤を推奨致します。

ABOUT FPC:  
RECOMMENDED PUNCHER DIRECTION:  
FROM CONDUCTOR SIDE TO STIFFENER BOARD SIDE.  
RECOMMENDED MATERIAL:  
STIFFENER FILM: POLYIMIDE  
BONDING AGENT: THERMOSETTING BONDING AGENT

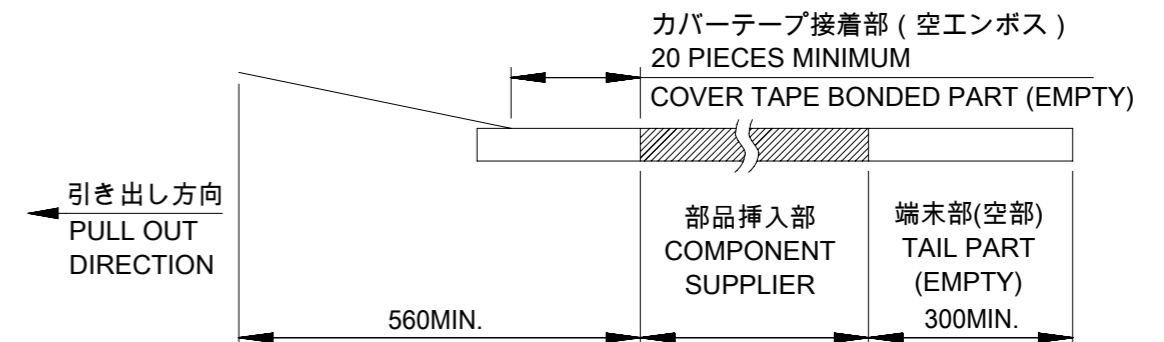
SEE SHEET 1 OF 2 EC NO: J2015-0506 DRAWN: DRMN/SANUMA 2014/10/21 CHECKED: CHKD/KTAKAHASHI 2014/11/10 APPROVED: YNDGAWA 2014/11/13	GENERAL TOLERANCES (UNLESS SPECIFIED)		DIMENSION STYLE MM ONLY		SCALE 10:1	DESIGN UNITS METRIC	THIRD ANGLE PROJECTION
	10 UNDER	± 0.2	DRAWN BY TRSUZUKI	DATE 2005/12/05	TITLE 0.5 FPC CONN. HSG ASSY EASY ON / STRAIGHT (TIN-BISMUTH) <b>molex</b> DOCUMENT NO. SD-501951-001 SHEET NO. 2 OF 2		
	10 OVER 30 UNDER	± 0.25	CHECKED BY HIRATA	DATE 2005/12/05			
	30 OVER	± 0.3	APPROVED BY MSASAO	DATE 2005/12/05			
ANGULAR	± 1 °	MATERIAL NO. SEE SHEET 1 OF 2	DOCUMENT NO. SD-501951-001				
	DRAFT WHERE APPLICABLE MUST REMAIN WITHIN DIMENSIONS		SIZE A3	THIS DRAWING CONTAINS INFORMATION THAT IS PROPRIETARY TO MOLEX INCORPORATED AND SHOULD NOT BE USED WITHOUT WRITTEN PERMISSION			

9 8 7 6 5 4 3 2



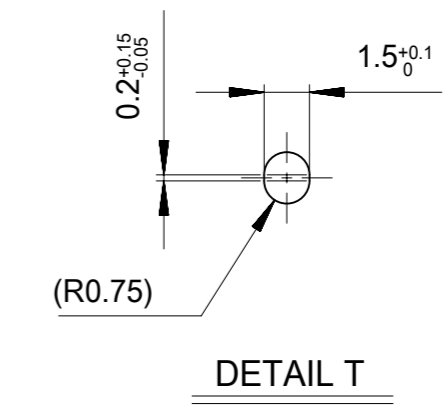
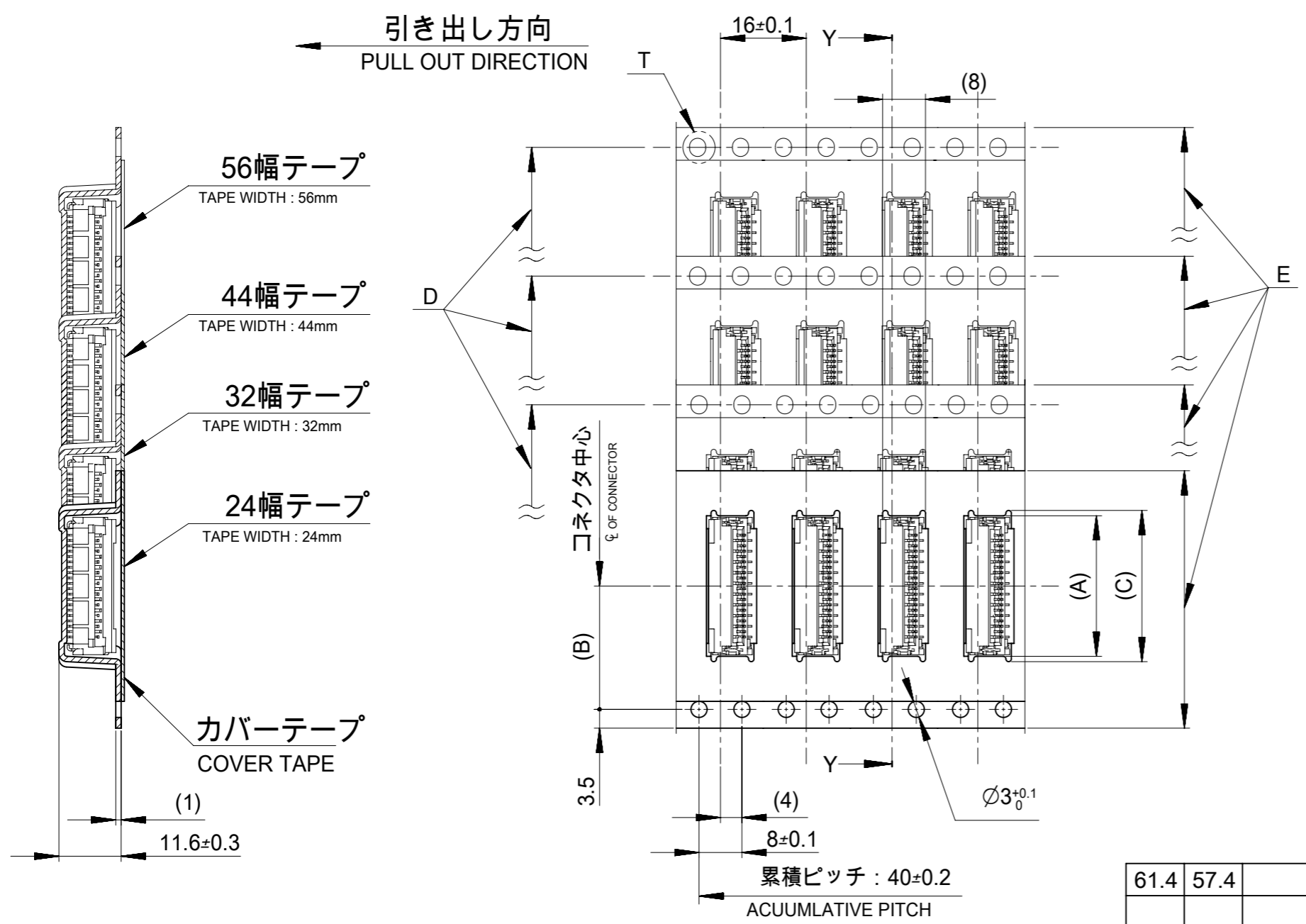
NOTES

- 製品詳細寸法については SD-501951-001を参照下さい。  
FOR DIMENSIONS OF PRODUCT, REFER TO SD-501951-001.
- 梱包数量 : 2000個/リール  
NUMBER OF CONNECTORS : 2000PIECES/REEL
- リードテープ長さ  
LEAD TAPE LENGTH



- カバーテープの剥離強度については、IEC60286-3に準拠。  
COVER TAPE PEEL FORCE IS DEFINED BY IEC60286-3.
- 材料 MATERIAL  
キャリアテープ : ポリスチレン  
CARRIER TAPE : POLYSTYRENE  
カバーテープ : ポリエチレンテレフタレート、ポリエチレン  
COVER TAPE : POLYETHYLENE TEREPHTHALATE , POLYETHYLENE  
リール : ポリスチレン<リサイクル材を含む>  
REEL : POLYSTYRENE<RECYCLE MATERIAL CONTAINED>
- ELV及びRoHS適合品  
ELV AND RoHS COMPLIANT

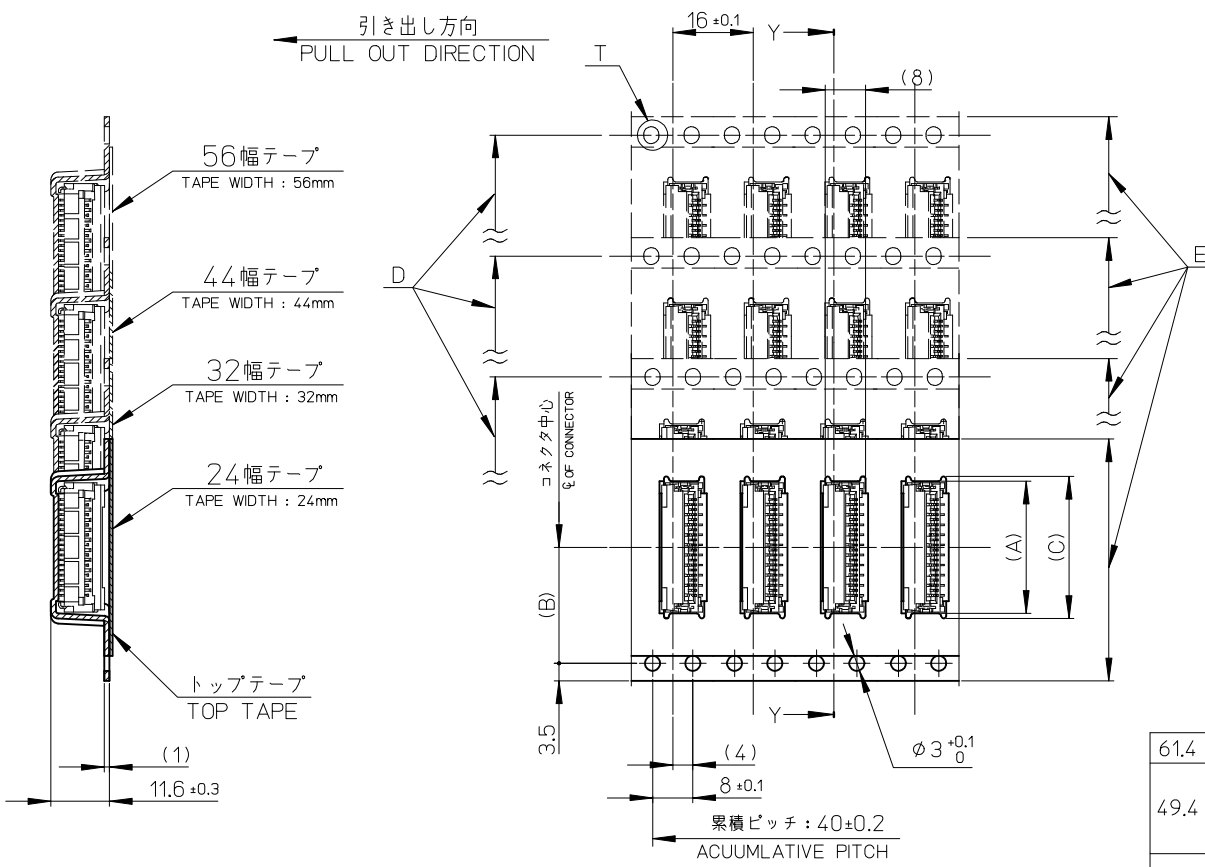
THIS DRAWING CONTAINS INFORMATION THAT IS PROPRIETARY TO MOLEX ELECTRONIC TECHNOLOGIES, LLC AND SHOULD NOT BE USED WITHOUT WRITTEN PERMISSION									
DIMENSION UNITS		SCALE		CURRENT REV DESC:				<b>molex</b>	
mm		1:1							
GENERAL TOLERANCES (UNLESS SPECIFIED)				EC NO: 601584				0.5 FPC CONN. HSG ASSY	
ANGULAR TOL ± 1.0 °				DRWN: SKAWAKAMI 2018/09/26				E/O STRAIGHT EMBSTP PKG (TIN-BISMUTH)	
4 PLACES ± 0.25				CHK'D: TRSUZUKI 2018/12/25				PRODUCT CUSTOMER DRAWING	
3 PLACES ± 0.25				APPR: RTAKEUCHI 2018/12/25				DOCUMENT NUMBER	
2 PLACES ± 0.25				INITIAL REVISION:				SD-501951-002	
1 PLACE ± 0.25				DRWN: TRSUZUKI 2005/12/05				DOC TYPE	
0 PLACES ± 0.25				APPR: HHIRATA 2005/12/05				PSD	
DRAFT WHERE APPLICABLE MUST REMAIN WITHIN DIMENSIONS				THIRD ANGLE PROJECTION		DRAWING		DOC PART	
				A3-SIZE		SERIES		REVISION	
				501951		MATERIAL NUMBER		001 D	
				SEE CHART		CUSTOMER		SHEET NUMBER	
				GENERAL				1 OF 2	



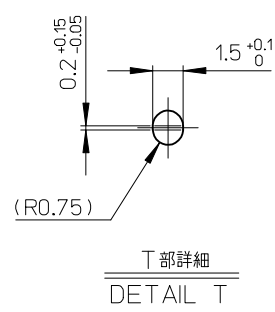
61.4	57.4	56±0.3	52.4	34.1	26.2	33.1	5019516000	60
49.4	45.4	44±0.3	40.4	29.1	20.2	28.1	5019515000	50
				26.6		25.6	5019514500	45
37.4	33.4	32±0.3	28.4	24.1	14.2	23.1	5019514000	40
				20.1		19.1	5019513200	32
				19.1		18.1	5019513000	30
29.4	25.4	24±0.3	—	15.1	11.5	15.1	5019512400	24
						14.1	5019512200	22
G	F	E CARRIER TAPE WIDTH	D	(C)	(B)	(A)	EMBOSSED PACKAGE ORDER NO.	CIRCUITS

THIS DRAWING CONTAINS INFORMATION THAT IS PROPRIETARY TO MOLEX ELECTRONIC TECHNOLOGIES, LLC AND SHOULD NOT BE USED WITHOUT WRITTEN PERMISSION

DIMENSION UNITS <b>mm</b>	SCALE <b>1:1</b>	CURRENT REV DESC:			<b>molex</b>		
GENERAL TOLERANCES (UNLESS SPECIFIED)		EC NO: 601584					
ANGULAR TOL	± 1.0 °	DRWN: SKAWAKAMI 2018/09/26			PRODUCT CUSTOMER DRAWING		
4 PLACES	± 0.25	CHK'D: TRSUZUKI 2018/12/25			DOCUMENT NUMBER		
3 PLACES	± 0.25	APPR: RTAKEUCHI 2018/12/25			SD-501951-002		
2 PLACES	± 0.25	INITIAL REVISION:			DOC TYPE	DOC PART	REVISION
1 PLACE	± 0.25	DRWN: TRSUZUKI 2005/12/05			PSD	001	D
0 PLACES	± 0.25	APPR: HHIRATA 2005/12/05			MATERIAL NUMBER	CUSTOMER	SHEET NUMBER
DRAFT WHERE APPLICABLE MUST REMAIN WITHIN DIMENSIONS		THIRD ANGLE PROJECTION	DRAWING	SERIES	SEE CHART	GENERAL	2 OF 2



断面 Y-Y  
SECTION Y-Y



T部詳細  
DETAIL T

61.4	57.4	56±0.3	52.4	34.1	26.2	33.1	501951-6000	60
				29.1		28.1	501951-5000	50
49.4	45.4	44±0.3	40.4	26.6	20.2	25.6	501951-4500	45
				24.1		23.1	501951-4000	40
				20.1		19.1	501951-3200	32
37.4	33.4	32±0.3	28.4	19.1	14.2	18.1	501951-3000	30
				16.1		15.1	501951-2400	24
29.4	25.4	24±0.3	∅	15.1	11.5	14.1	501951-2200	22
G	F	E キャリアテープ幅 CARRIER TAPE WIDTH	D	(C)	(B)	(A)	製品番号 MATERIAL NO.	極数 CIRCUITS

SEE SHEET 1 OF 2 EC NO: J2015-0506 DRWN: SANUMA 2014/10/21 CHKD: TAKAHASHI 2014/11/10 APPR: YNOGAWA 2014/11/13	GENERAL TOLERANCES (UNLESS SPECIFIED)		DIMENSION STYLE MM ONLY		SCALE ---	DESIGN UNITS METRIC	THIRD ANGLE PROJECTION		
	10 UNDER	±0.2	DRAWN BY TRSUZUKI		DATE 2005/12/05		TITLE 0.5 FPC CONN. HSG ASSY E/O STRAIGHT EMBSTP PKG (TIN-BISMUTH)		
	10 OVER 30 UNDER	±0.25	CHECKED BY HHRATA		DATE 2005/12/05				
	30 OVER	±0.3	APPROVED BY MSASAO		DATE 2005/12/05				
ANGULAR ±1 °		MATERIAL NO.		DOCUMENT NO.		SHEET NO.			
DRAFT WHERE APPLICABLE MUST REMAIN WITHIN DIMENSIONS		SEE CHART		SD-501951-002		2 OF 2			
		SIZE A3		THIS DRAWING CONTAINS INFORMATION THAT IS PROPRIETARY TO MOLEX INCORPORATED AND SHOULD NOT BE USED WITHOUT WRITTEN PERMISSION					