



- Constant Voltage / Constant Current
- Last Setting Memory
- Digital Meters
- Built-in RS232 & RS485 Interface w/ GPIB optional
- Bench or Rack Mount
- Embedded Microprocessor Controller
- Voltage up to 120V, Current up to 132A

ZUP Series

Zero Up Programmable Power Supplies

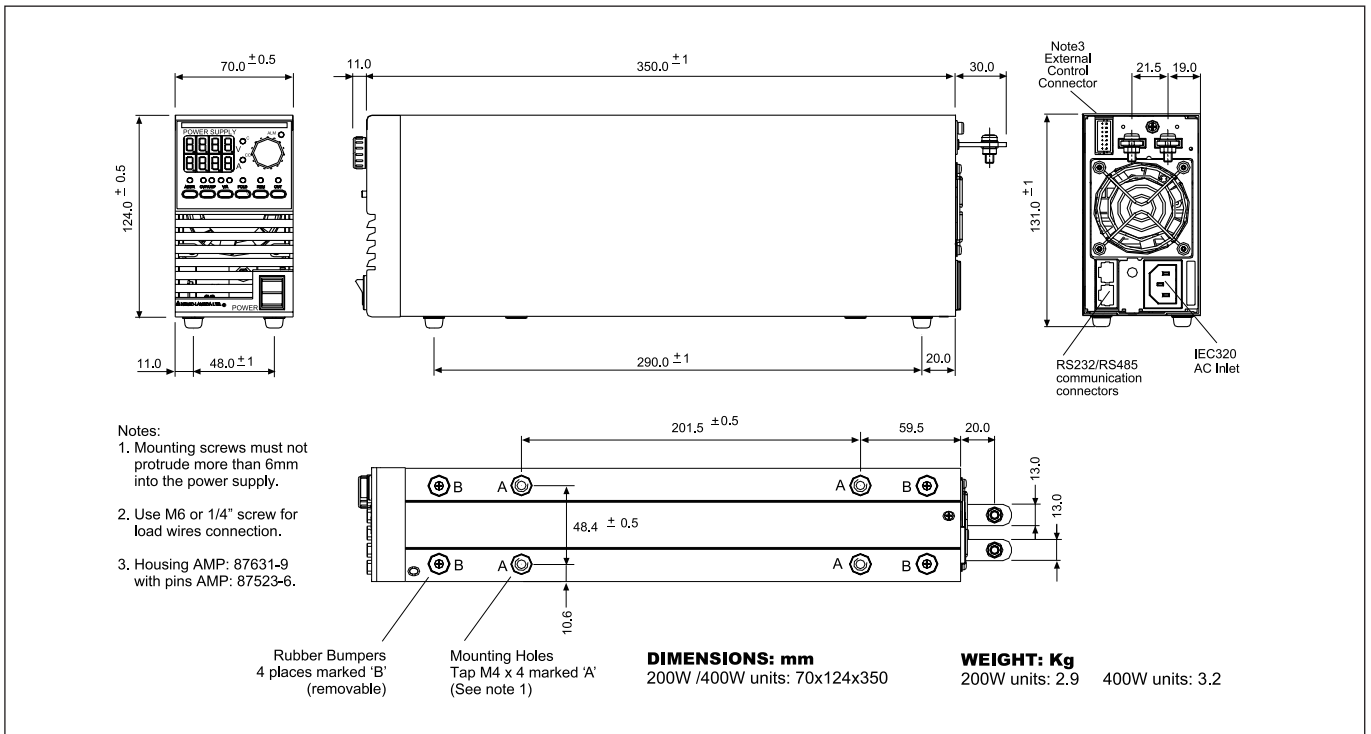
Specifications										
ITEMS	MODELS		ZUP6	ZUP10	ZUP20	ZUP36	ZUP60	ZUP80	ZUP120	
		Cond.								
Load Regulation	CV		2mV + 0.005% over 0 - 100% load change							
Line Regulation	CV		1mV + 0.005% over 85 - 132 or 170 - 265VAC constant load							
Recovery Time (1)	CV		1ms	0.5ms					0.2ms	
Temperature Coefficient	CV		30ppm/°C following 30 minute warm up							
Temperature Drift (2)	CV		0.01% + 2mV change in output							
Up programming response time	CV		50 - 60ms					80ms	120ms	
Down prog. resp. time (CV)	Full		50ms (70ms ZUP60-14)							
Down prog. resp. time (CV)	Zero		250ms	350ms	400ms	500ms	750ms	800ms	1000ms	
Load Regulation	CC		0.01% + 5mA on 200W and 400W models, 0.07% + 10mA on 800W models							
Line Regulation	CC		0.01% + 2mA on 200W and 400W models, 0.01% + 5mA on 800W models							
Temperature Coefficient	CC		100ppm/°C from rated current after 30 minute warm up time							
Temperature Drift (2)	CC		0.02% + 5mA, 200W and 400W models, 0.05% + 10mA, 800W models							
Prog Voltage resolution	-		Better than 0.028% of rated voltage							
Prog Voltage accuracy	-		.02%+5mV	.02%+8mV	.02%+12mV	.02%+20mV	.02%+35mV	.02%+50mV	.02%+80mV	
Prog Current resolution	-		Better than 0.03% of rated current							
Prog Current accuracy	-		0.4% + 40mA							
Overvoltage Shutdown	V		0 - 7.5	0 - 13	0 - 24	0 - 40	0 - 66	0 - 88	0 - 132	
Thermal Protection	-		Over temperature protected							
Display - Voltage	-		3 digits (6, 20, 36, 60, 80V models), 3.5 digits (10, 120V models). Accuracy 0.2% ± 2 digits							
Display - Current	-		3 digits, (3.5 digits 132A model). Accuracy 0.5% ± 3 digits							
Display - Status	-		CV / CC, Alarm, Foldback, Local/Remote, On/Off							
Remote On/Off	-		TTL signal or dry contact relay							
Output Good	-		Open Collector							
Voltage & Current Programming	-		By either Voltage (0-4V) or Resistance (0-4k)							
Remote Sense	-		Up to 0.5V compensation per output cable							
Communication Interface	-		RS232 & RS485 standard, IEEE488 optional							
Series & Parallel Operation	-		Series: Up to two units; Parallel: Up to five units in master-slave configuration							
AC Input Voltage range	-		85-265VAC (47-63Hz)							
Inrush Current (100/200VAC) (3)	-		15/30A, 200W models, 15A, 400W models, 30A, 800W models							
Hold Up Time (Typ) at 100VAC	ms		20							
Power Factor Correction	-		Complies with EN61000-3 Class A (0.99 typ)							
Temperature Range	-		Operating: 0°C - 50°C; Storage: -20°C to +70°C							
Humidity (non condensing)	-		Operating: 30°C - 90% RH, Storage 10°C - 95%RH							
Cooling	-		Internal fan							
Withstand Voltage	-		Input to Ground 2kVAC, Input to Output 3kVAC, Output to Ground 500VAC for 1 min.							
Isolation Resistance	Ω		>100MΩ at 25°C & 70%RH							
Vibration & Shock (non-op.)	-		Vibration:10-55Hz(1 min.) 2G constant X, Y, Z, when correctly mounted; Shock: <20G							
Safety Agency Approvals	-		UL3111-1, EN61010-1, CE Mark							
Conducted & Radiated EMI	-		EN55022-B conducted, A radiated, FCC Class B conducted, A radiated, VCCI-B conducted, -A radiated							
Warranty	yrs		3							

(1) Recovery to within +/-50mV after load change of 50-100% (2) Over 8 hour period following 30 minute warm up time (3) 25°C ambient (cold start)

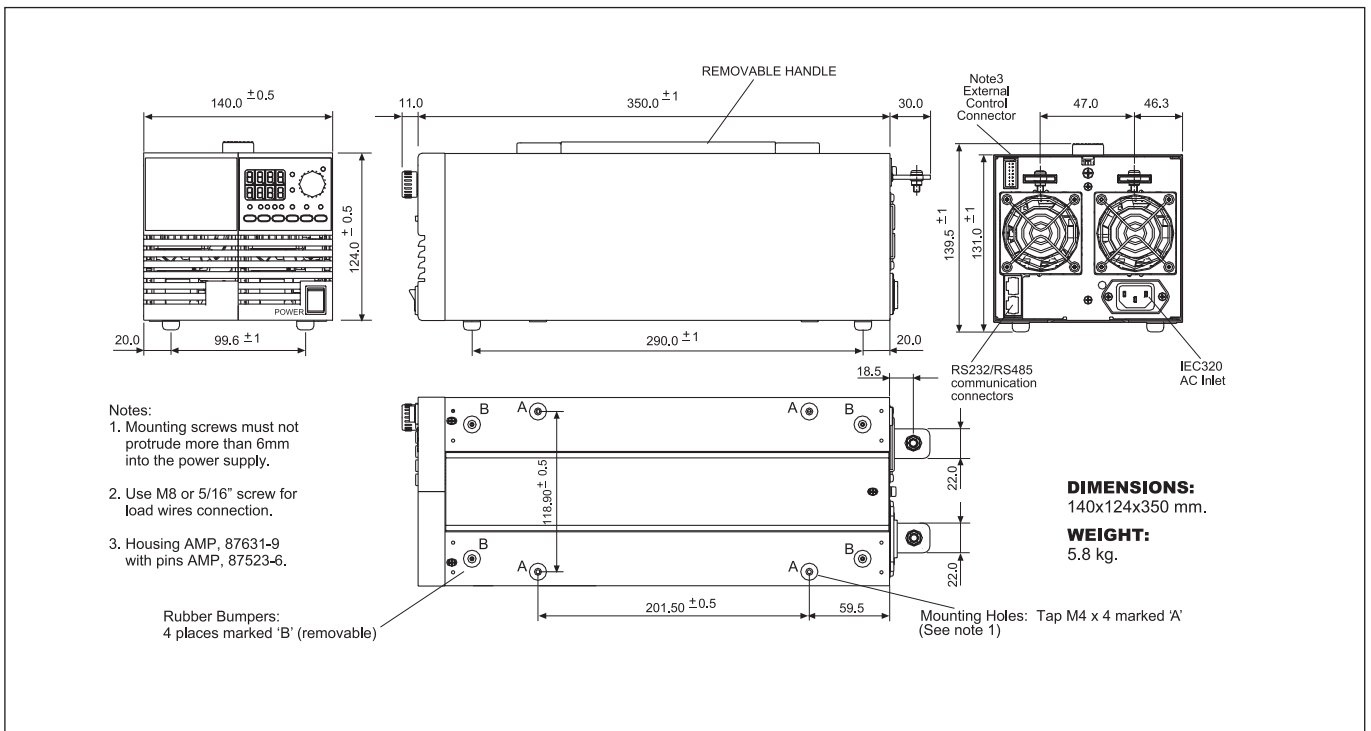
Model Selector								
Model	Voltage Adjust Range	Current Adjust Range	Max Power	Ripple 5Hz-1MHz mV	Noise 20MHz BW mV	Ripple 5Hz-1MHz mA	Efficiency % (100/200VAC)	Weight kg
ZUP6-33	0-6V	0-33	198	5	50	50	69 / 72	2.9
ZUP6-66	0-6V	0-66	396	5	50	100	74 / 77	3.2
ZUP6-132	0-6V	0-132	792	8	100	200	74 / 77	5.8
ZUP10-20	0-10	0-20	200	5	50	25	73 / 77	2.9
ZUP10-40	0-10	0-40	400	5	50	50	79 / 82	3.2
ZUP10-80	0-10	0-80	800	8	90	100	77 / 81	5.8
ZUP20-10	0-20	0-10	200	5	50	15	74 / 78	2.9
ZUP20-20	0-20	0-20	400	5	50	30	79 / 83	3.2
ZUP20-40	0-20	0-40	800	5	80	60	79 / 82	5.8
ZUP36-6	0-36	0-6	216	5	50	7.5	76 / 80	2.9
ZUP36-12	0-36	0-12	432	5	50	15	80 / 84	3.2
ZUP36-24	0-36	0-24	864	5	70	30	80 / 84	5.8
ZUP60-3.5	0-60	0-3.5	210	5	50	5	75 / 79	2.9
ZUP60-7	0-60	0-7	420	5	50	10	80 / 84	3.2
ZUP60-14	0-60	0-14	840	5	60	20	80 / 84	5.8
ZUP80-2.5	0-80	0-2.5	200	20	70	5	78 / 82	2.9
ZUP80-5	0-80	0-5	400	20	70	10	83 / 87	3.2
ZUP120-1.8	0-120	0-1.8	216	20	80	5	78 / 82	2.9
ZUP120-3.6	0-120	0-3.6	432	20	80	10	82 / 86	3.2

Options and Accessories		
Option	Model Suffix	Part Number
Front panel terminals (20A max) ⁵	/L ⁴	ZUP200/400/L ⁴
Front panel terminals (20A max) ⁶	/L ⁴	ZUP800/L ⁴
IEC320 cable Europe plug	/E	ZUP/E
Serial link cable RJ-45	/W	ZUP/W
GPIO Controller		GP485A
Dual Unit Assembly		NL200*
(accepts 200W or 400W models)		
19" 3U rack (accepts up to 6 200/400W models)	NL100*	
Blanking panels for NL100 (19 in. rack)	NL101*	
RS232 Communications Cable DB-9F	ZUP/NC401	
RS232 Communications Cable DB-25F	ZUP/NC403	
RS485 Communications Cable DB-9F	ZUP/NC402	
RS485 Communications Cable DB-25F	ZUP/NC404	
User Manual		NL102
* (See website for more details)		
⁴ Not available with ZUP80 or ZUP120 models.		
⁵ 200W and 400W models		
⁶ 800W models		

Outline Drawing 200/400W



Outline Drawing 800W



TDK-LAMBDA EMEA

www.emea.tdk-lambda.com



TDK-Lambda France SAS

Route de Grivery
ZAC des Delaches
CS 41077
91978 Courtaboeuf Cedex
France
Tel: +33 1 60 12 71 65
Fax: +33 1 60 12 71 66
france@fr.tdk-lambda.com
www.fr.tdk-lambda.com



Italy Sales Office
Via dei Lavoratori 128/130
20092 Cinisello Balsamo (MI)
Italy
Tel: +39 02 61 29 38 63
Fax: +39 02 61 29 09 00
info.italia@it.tdk-lambda.com
www.it.tdk-lambda.com



TDK-Lambda Germany GmbH

Karl-Bold-Strasse 40
77855 Achern
Germany
Tel: +49 7841 666 0
Fax: +49 7841 5000
info.germany@de.tdk-lambda.com
www.de.tdk-lambda.com



Austria Sales Office
Aredstrasse 22
2544 Leobersdorf
Austria
Tel: +43 2256 655 84
Fax: +43 2256 645 12
info.germany@de.tdk-lambda.com
www.de.tdk-lambda.com



TDK-Lambda UK Ltd.

Kingsley Avenue
Ilfracombe
Devon EX34 8ES
United Kingdom
Tel: +44 (0) 12 71 85 66 66
Fax: +44 (0) 12 71 86 48 94
powersolutions@uk.tdk-lambda.com
www.uk.tdk-lambda.com



Nemic Lambda Ltd.

Kibbutz
Givat Hashlosha 48800
Israel
Tel: +9 723 902 4333
Fax: +9 723 902 4777
info@nemic.co.il
www.nemic.co.il



Russia

Technical Support:
St Petersburg
Tel: +7 (812) 6580463
Sales:
Moscow
Tel: +7 (499) 7557732
info@tdk-lambda.ru
www.tdk-lambda.ru

LOCAL DISTRIBUTION

